

TYPE "G" MOD. 128B

General Information:

This modified "G" Plug-in provides increased gain by a factor of 10. Catalog specifications will not necessarily be applicable.

Adjustment Procedure:

In general the procedure will be the same as outlined in the instruction manual with the following exceptions:

Before the peaking adjustments are made, the input amplifier should be neutralized. Variable capacitors, C3447 and C4447 are adjusted as follows:

Connect a 20 mv calibrator signal to input A. Set input A to .005 v/cm. Set sweep controls for stable presentation of approximately 5 to 10 cycles of the 1 Kc square wave. Set the Step Attenuator of -B to .005 v/cm and note the display. This should be a faithful reproduction of the calibrator and should have neither undershoot nor overshoot. Set the Step Attenuator of -B to .02 v/cm and adjust C4447 for the best square wave presentation. next connect Square Wave input to -B and use similar steps, except exchange A for -B controls and adjust C3347.

Proceed with the peaking adjustment; overshoot should not exceed 3%.

High frequency Adj. R3437 - adjust for optimum high frequency response by squaring the corner, and until there are no aberrations in the top of the square wave following the corner.

In the paragraphs covering Input Attenuators, note the following changes: each reference made to deflection factor will be changed by a factor of .1, due to the increased gain, i.e., .05 v/cm becomes 0.005 v/cm.

The Museum of Classic T&M Instruments
Collector's Assistance

TYPE G, MOD 128B

PARTS LIST
CAPACITORS

C3437	Add	.01	Discap	500v	283-000
C3447	Add	.7 to 3	Tubular		281-027
C4447	Add	.7 to 3	Tubular		281-027

INDUCTORS

L3457	Change to	.45 uh			108-098
L3467	Change to	11-23 uh			114-110
L3477	Add	2.5 uh			108-103
L3617	Change to	17-30 uh			114-155
L3627	Add	1.8 uh			108-105
L4457	Change to	.45 uh			108-098
L4467	Change to	11.23 uh			114-110
L4477	Add	2.5 uh			108-103
L4617	Change to	17-30 uh			114-155
L4627	Add	1.8 uh			108-105

RESISTORS

R3357	Change to	100 Ω	1/2w	Comp	302-101
R3437	Add	150 Ω	1/2w	Var	311-129
R3447	Add	82 Ω	1/2w	Comp	302-820
R3467	Change to	1.8k	1w	Prec	310-533
R3617	Change to	1.8k	1w	Prec	310-533
R3667	Change to	120k	1/2w	Comp	302-124
R3867	Add	47k	1/2w	Comp	302-473
R4357	Change to	100 Ω	1/2w	Comp	302-101
R4467	Change to	1.8k	1w	Prec	310-533
R4617	Change to	1.8k	1w	Prec	310-533
R4867	Add	47k	1/2w	Comp	302-473

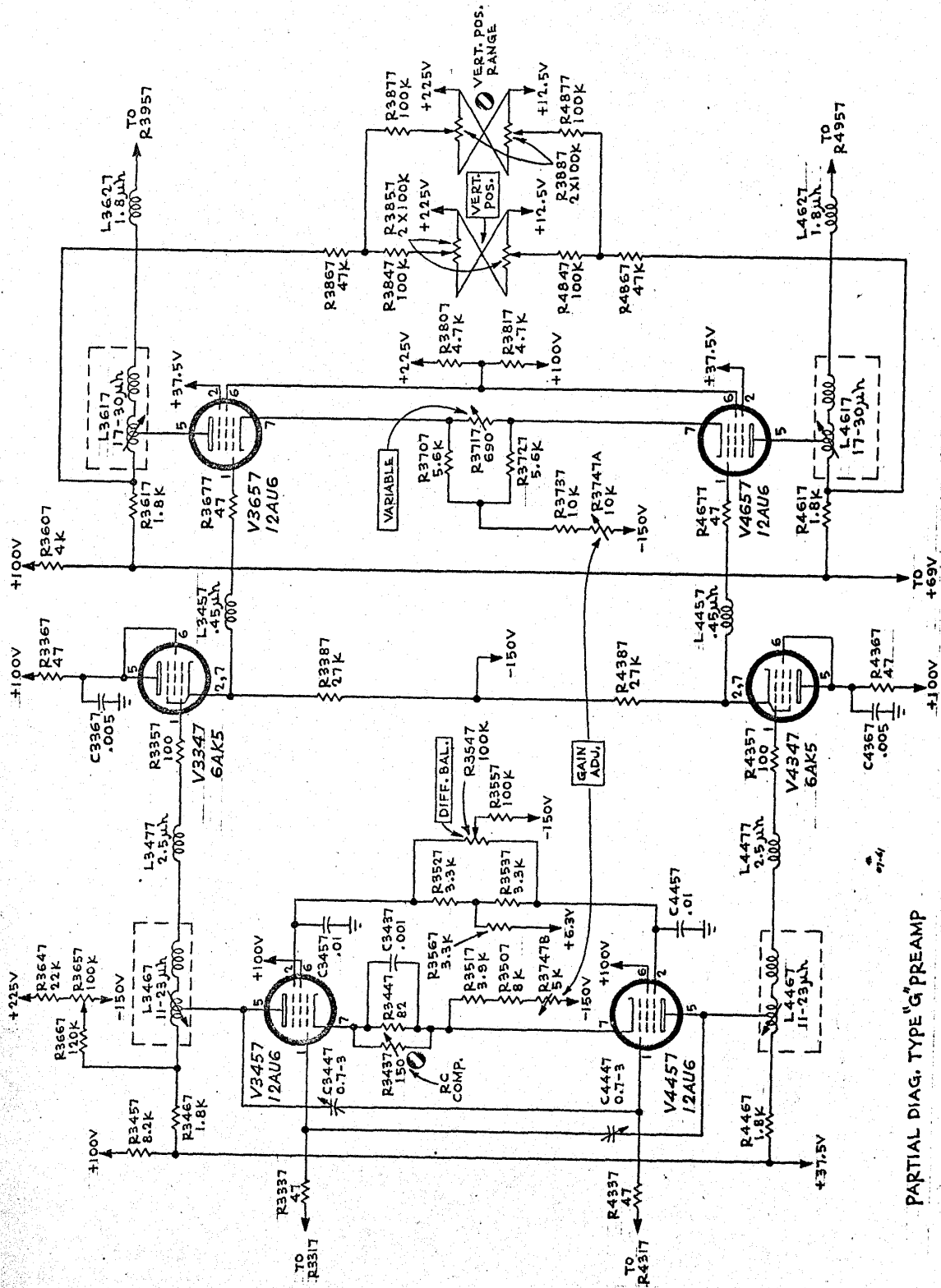
VACUUM TUBES

V3457	Change to	12AU6			157-065
V4457	Change to	12AU6			157-065

MECHANICAL

BRACKET, Mounting	Add	1		Dwg. #932A
PANEL, Front	Change to			Film #1174
POST, Cap Mtg., Nylon	Add	2		384-542
POST, Ceramic	Add	1		129-017

06/62



(Tektronix, Manual G Mod 128, 1962)